

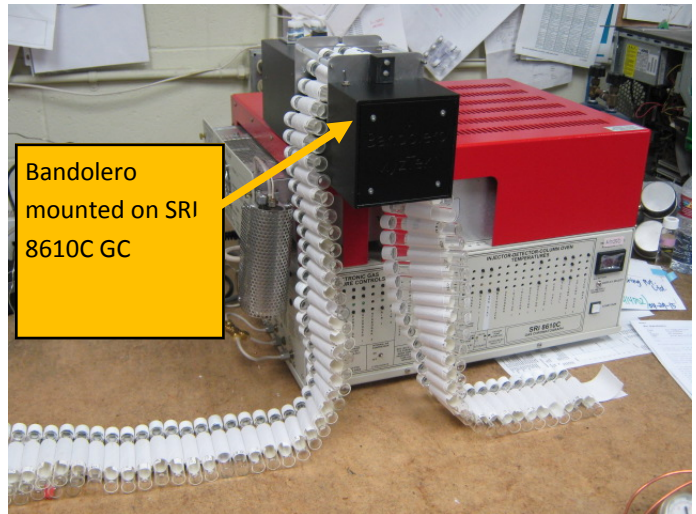
# Bandolero Gas Autosampler

June 2015

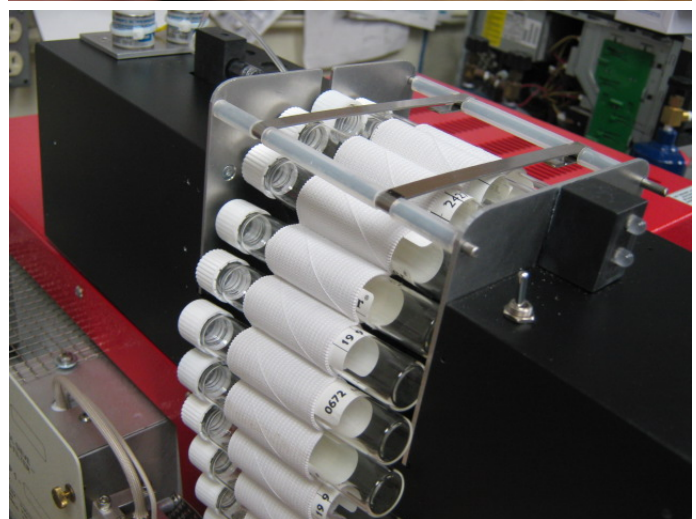
The “Bandolero” autosampler for 12 ml Exetainer vials is a low cost solution for Greenhouse Gas applications and other gas samples.

The 12ml Exetainer vial is widely used to collect samples in the field and costs about 50 cents.

The “Bandolero” comes with a 100 vial belt

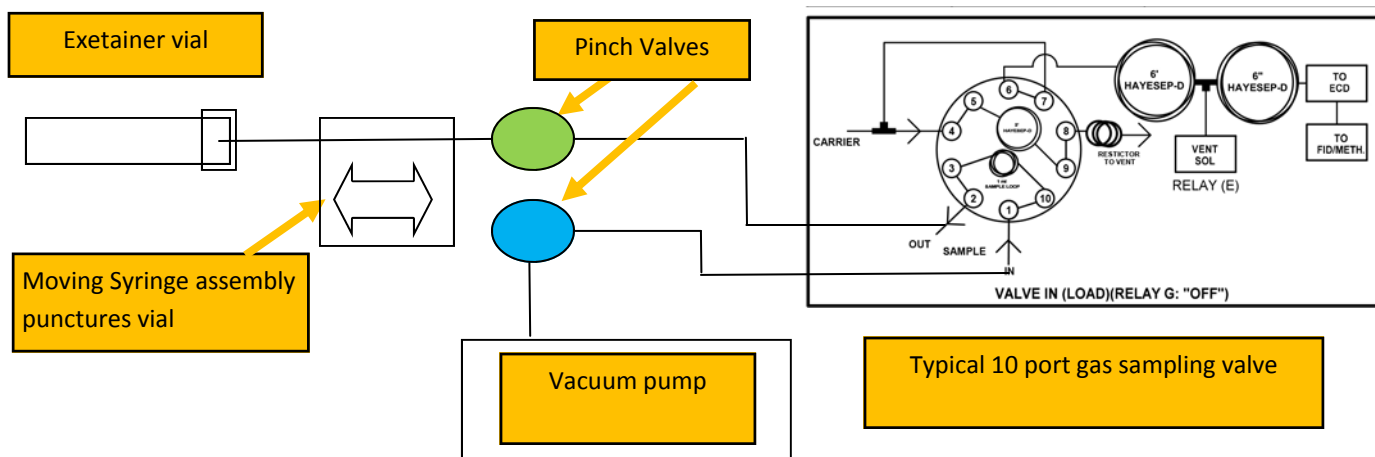


Bandolero  
mounted on SRI  
8610C GC



# Bandolero Gas Autosampler

June 2015



The “Bandolero” autosampler starts its cycle when the GC ready signal illuminates.

- 1) The Blue pinch valve opens to let the vacuum pump evacuate the sample loop.
- 2) The Blue valve closes leaving the loop under vacuum
- 3) The syringe punctures the vial.
- 4) The Green pinch valve opens allowing the sample to flow into the sample loop.
- 5) The syringe retracts, allowing ambient air to flow into the tubing connecting the syringe to the sample loop. The air does not reach the loop, but allows the loop to equilibrate to ambient pressure.
- 6) The 10 port valve injects the loop contents.

To order:

8640-1000 “Bandolero” vial autosampler with 100 vial belt \$5,520.00

With universal 12VDC power supply



20720 Earl Street Torrance, CA 90503  
310-214-5092 www.srigc.com