

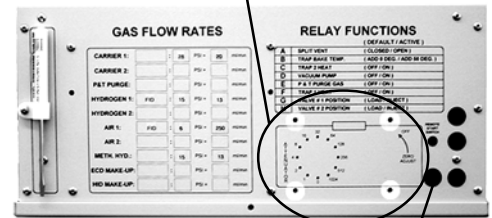
AUTOSAMPLERS

Installation of the Relay Board for the 10 Position Method 5030 Purge & Trap Autosampler (and other Autosamplers)

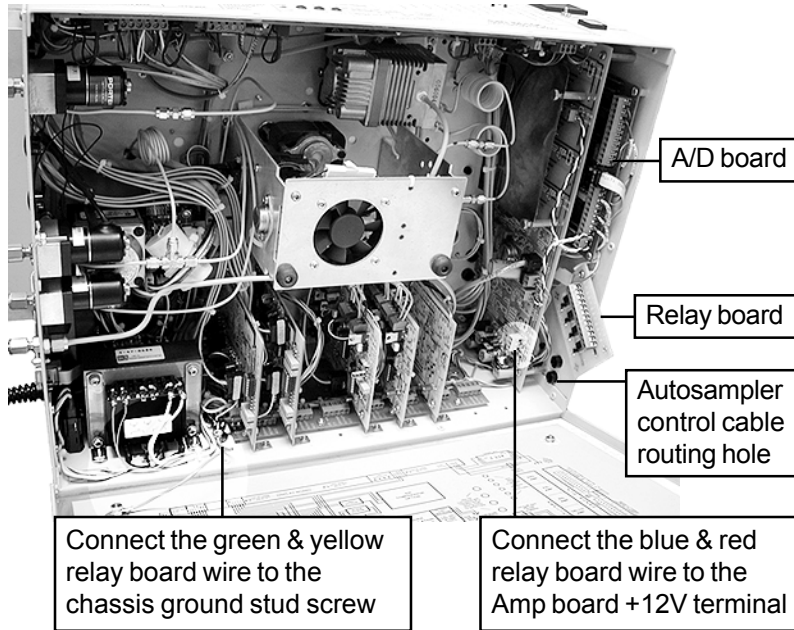
A relay board is provided with the autosampler for connecting it to an SRI 8610 GC. This relay board supplies the additional relays required to operate the autosampler, and must be installed inside the GC by the user. The relay board comes with the necessary wiring, and no soldering is required.

The four holes in the right side panel of the GC chassis, under the "Relay Functions" table, correspond with the relay board securing screws. The relay board is installed on the inside of this panel.

4 holes for Relay Board screws



Hole for autosampler control cable

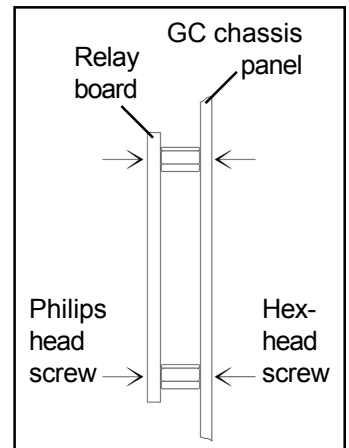


Connect the green & yellow relay board wire to the chassis ground stud screw

Connect the blue & red relay board wire to the Amp board +12V terminal

1. Remove the six screws holding the bottom panel on the GC chassis. Support the panel while you gently rock the GC onto its back, then lower the panel to your working surface to access the chassis interior.

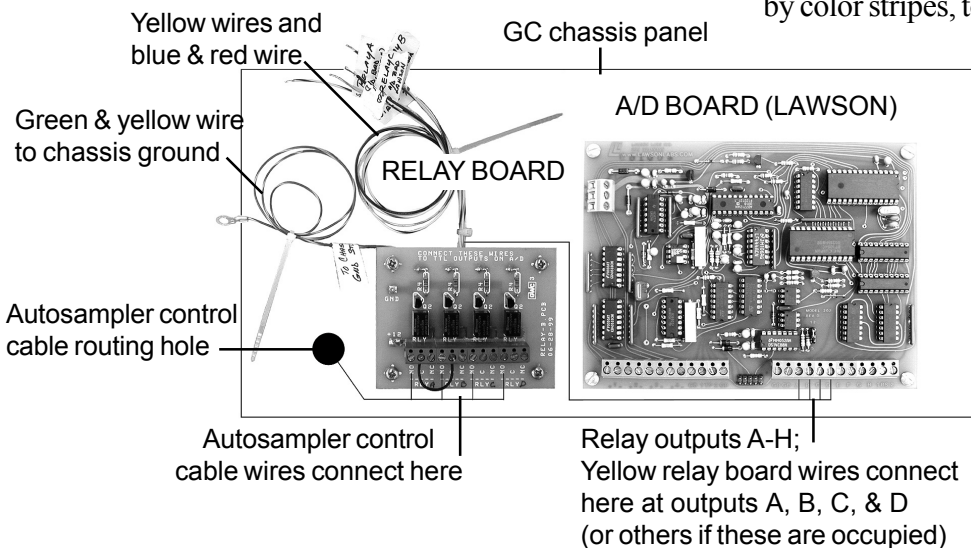
2. Secure the four aluminum stand-offs in the relay board holes. Use the four hex-head screws provided, and secure the stand-offs from the outside of the



GC panel. Insert the relay board into position so that the component side faces outward. Secure it in place on the aluminum stand-offs with the four philips head screws provided.

3. Connect the green and yellow wire to the chassis ground stud screw on the left rear of the chassis interior near the main power transformer.

4. Connect each of the four yellow wires, differentiated by color stripes, to the appropriate TTL relay outputs on the A/D (Lawson) board. All eight of the TTL outputs are identical; use any available ones. Connect the blue and red wire to the Amp board 12V terminal.



5. Remove one of the plastic hole plugs for the autosampler control cable. Route the control cable through the hole, and connect each wire to the appropriate relay circuit on the relay board (see autosampler control cable labeling).